



# TROJAN™

## → INTRODUCTION

> To answer the growing demand for a Roman or folding blind system to suit both internal and external applications in all aspects and infinite shapes and sizes, **REFLEX™** has developed the **TROJAN™** K100 family of product into the already extensive range of **REFLEX™** automated, environmental control blinds and screens.

## APPLICATION

> The area to be covered by a **TROJAN™** system can be square, rectangular or trapezium in shape and can be in any aspect from horizontal to vertical. The mounting of the system can be interfaced at any location along the two parallel end rails to coincide with substructure. The minimum tension within the system is transferred through either these side rails or secondary suspension cables. All system hardware and the drive system should be mounted onto the end rails and minor alignment discrepancies can be overcome with built in adjustment.

## SPECIFICATION

> The basic system operates using the traditional Roman blind or folding fabric principal, where the fabric is suspended by battens and traverses along special side drive guides or suspension cables. As the fabric has little tension exerted upon it (other than gravity) the size and shape limitations are more relaxed than in other applications where the fabric is pulled taught by motors or spring tension.

The fabric is attached to the system via light weight 40 x 25 mm aluminium cross rails with a unique polymer spline which both locates the fabric and secures it in position, as well as allowing for easy fabric element replacement at any time, without disturbing the rest of the installation and drive system.

Fabrics that can be used in this system are many and varied due to the low tension exerted upon the textile in use. The **TROJAN™** system lends itself perfectly to horticultural (greenhouse) use

where light control and air circulation are critical as some fabrics utilise ventilated weaves and therefore have a very low structural strength.

The drive system is incorporated within the mounting rail and uses the electronic tubular motor within a 60 mm aluminium drive tube.

To the drive tube are affixed two adjustable toothed drive belts, which in turn drive gearboxes to transfer the drive effort to the transport belt within the parallel side rails. The main leading batten and subsequent battens are then extended in turn, by the pulling of the fabric element itself from the leading edge.

The mounting rail is 50 mm x 100 mm "C" section aluminium, powder coated to suit, and can be mounted at any aspect with the provided fixings through the rail at variable points.

The system can be installed as a square, rectangle or trapezium and in some cases multiple systems can be adjoined at the motor end in tandem to cover areas up to 60 square metres. Trapezium shapes will travel from the wider end to close at the narrower end with the travel of rectangular systems to be top down or bottom up configurations.

Minimum width	=	1,500 mm
Maximum width	=	6,000 mm
Minimum projection	=	1,000 mm
Maximum projection	=	5,000 mm

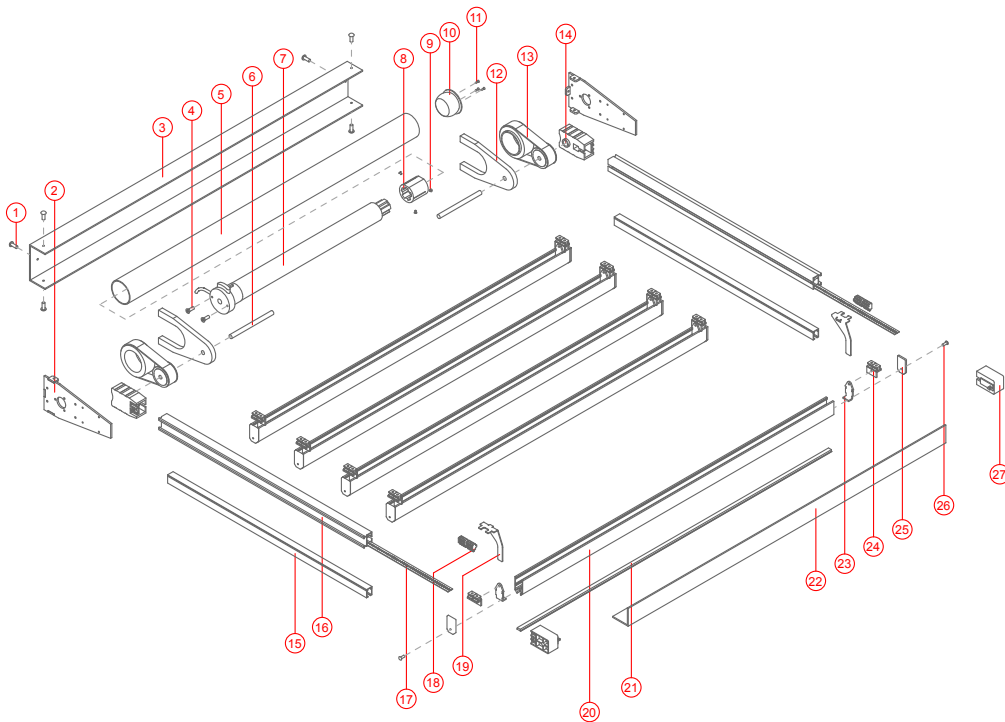
# TROJAN™



	<b>K100</b>
<b>X =</b>	<b>218</b>
<b>Y =</b>	<b>100</b>
<b>Z =</b>	<b>70</b>

## PROFILE

### TROJAN™ EXPLODED



ITEM	DESCRIPTION
1.	COVER SCREW
2.	END PLATE
3.	COVER
4.	MOTOR FIXING SCREWS
5.	ROLLER TUBE
6.	DRIVE SHAFT
7.	MOTOR
8.	MOTOR WHEEL
9.	RIVET
10.	BEARING
11.	BEARING SCREWS
12.	BEARING PLATE
13.	DRIVE WHEELS
14.	TRACK HEAD
15.	SIDE CHANNEL
16.	TRACK
17.	DRIVE BELT
18.	BELT END CARRIAGE
19.	CARRIER BRACKET
20.	FABRIC CHANNEL
21.	SPLINE
22.	END COVER
23.	ADAPTOR BRACKET
24.	SLIDER ADAPTOR
25.	END CAP
26.	END CAP SCREW
27.	TRACK TAIL