



Application Note

NEON DIMMING

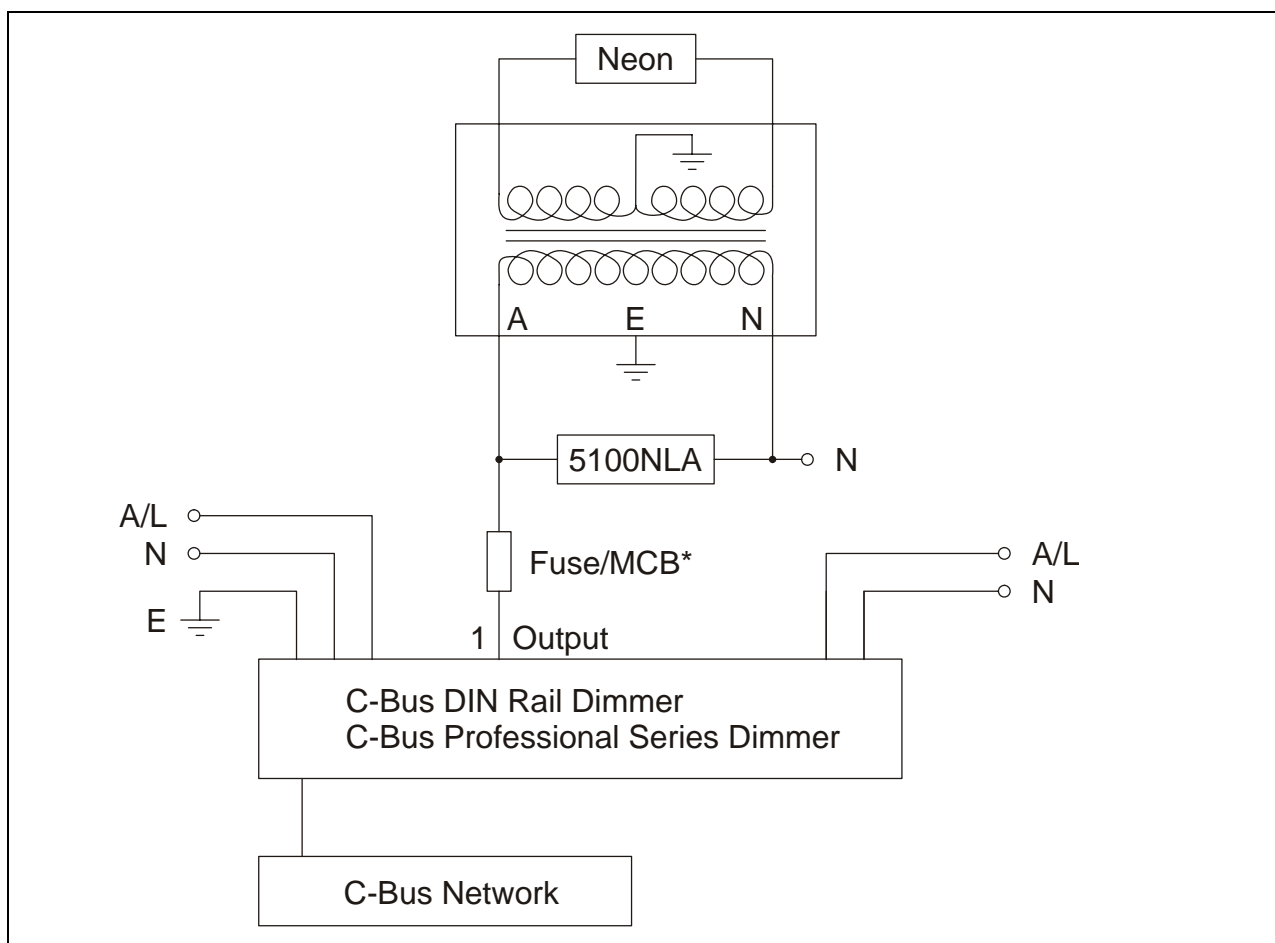
Date: 2nd June 2005

NEON Dimming

Neon lights with an in-built iron core transformer may be used with C-Bus Professional Series Dimmers or specially modified C-Bus DIN Rail Dimmers.

A **5100NLA** (Neon Lighting Adaptor) unit must be used on the active line, in conjunction with a **Fuse** or **MCB** (Miniature Circuit Breaker). Specially modified C-Bus DIN Rail Dimmers are available from Clipsal Integrated Systems (CIS). Please refer to the Technical Support and Training Department (CIS Adelaide) for further information and ordering.

The connection diagram is shown below.



* Trip rating to match transformer primary current rating.

Clipsal Integrated Systems Pty Ltd

ABN 15 089 444 931

Head Office

12 Park Terrace, Bowden

South Australia 5007

International Phone +61 8 8440 0531

International Fax +61 8 8346 0845

Internet <http://www.clipsal.com/cis>

E-Mail tech.training@cispl.com.au